

Model: DVP-S360, DVP-S560D, DVP-S570D, DVP-C660, DVP-C670D **No. 68R1****Subject:** PLAYER MAY NOT PLAY CD/DVD OR VCD **Date:** February 4, 2002**Symptom:**
(111A)

The DVD player may not play disc. The display may indicate "No Disc "or C:13:00"

Solution:

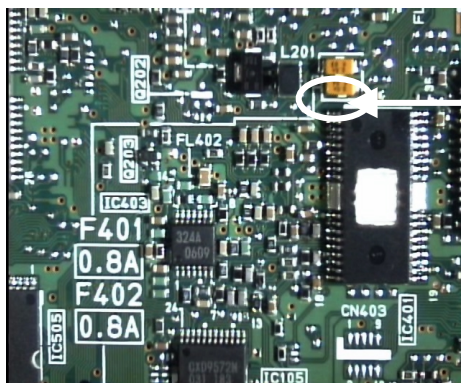
Please remove fuse F402 and replace with 0-ohm resistor on MB board (side B). Exchange the resistors R416 and R418. The original values are 150K; change them both to 82K ohms

REF	DESCRIPTION	PART NUMBER
F402	CONDUCTOR, CHIP(2012) METL RES 0H 1/10W	1-216-295-11
R416/ R418	RESISTOR,CHIP 82K 1/16W	1-216-844-11

There are 2 MB-bds used in these units depending on model.

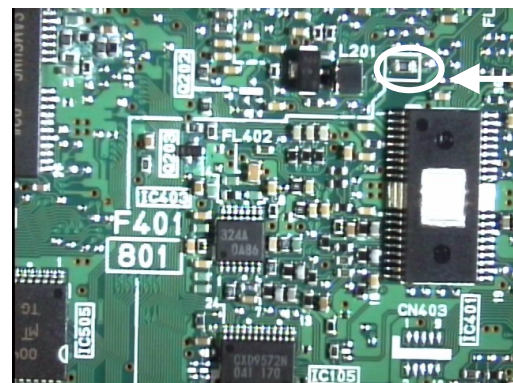
DVPS360, DVPS560D, DVPS570D (MB-86)

DVPC660, DVPC670D is (MB-87)

NOTE: There are currently 2 versions of MB-86 boards available. The newest version board is modified with F402 omitted from the board.**NO MODIFICATION IS REQUIRED.
DO NOT REPLACE F401.**

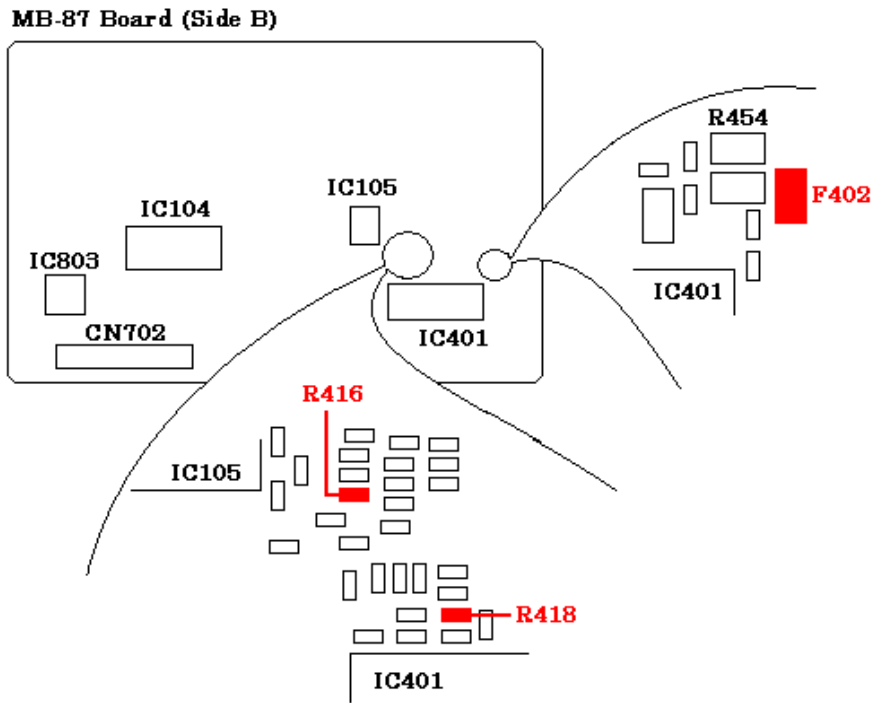
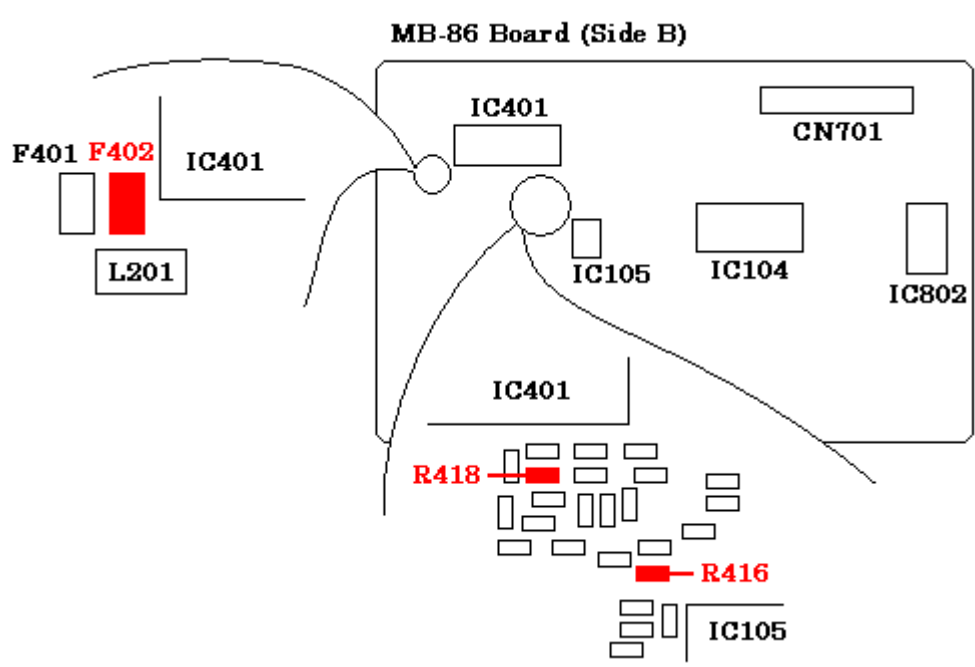
Old version MB-86

F402



New version MB-86

F401



NOTE: A problem can occur if caution is not taken during the installation of the resistors. They are slightly larger than the originals and if not installed properly, can easily short with another trace. Once a short occurs, it places a heavy DC bias across the tracking coil accompanied by a little puff of smoke. To insure a greater probability of success, the resistors R416 and R418 need to be soldered in absolutely straight. If they are turned in any way, the risk of a short becomes much greater. Also it is important to use as little solder as possible.

1. Measure the resistor between Pin # 21 & Pin # 22 of the Flexible Cable, which is connected with the OPT. (See the figure below.) If the resistance between Pin # 21 & Pin # 22 is below 6 ohms, replace the OPT with a new one.
2. Perform servo adjustment after replacing components and/or optical.

